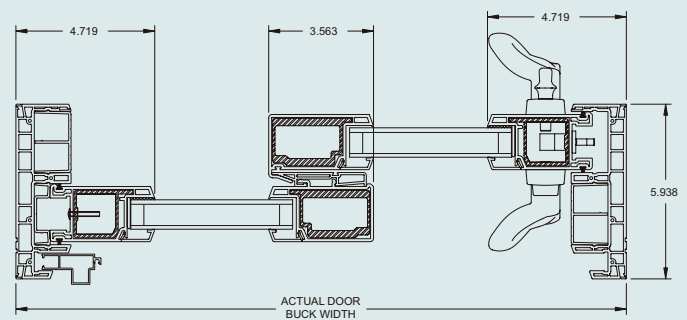
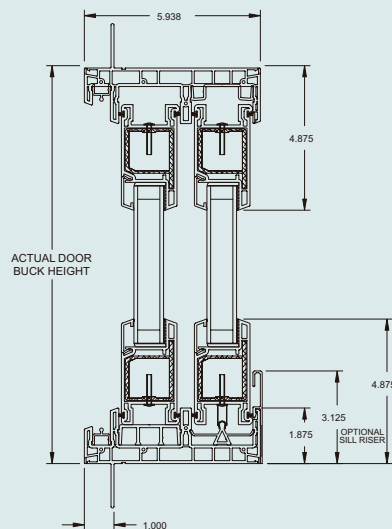


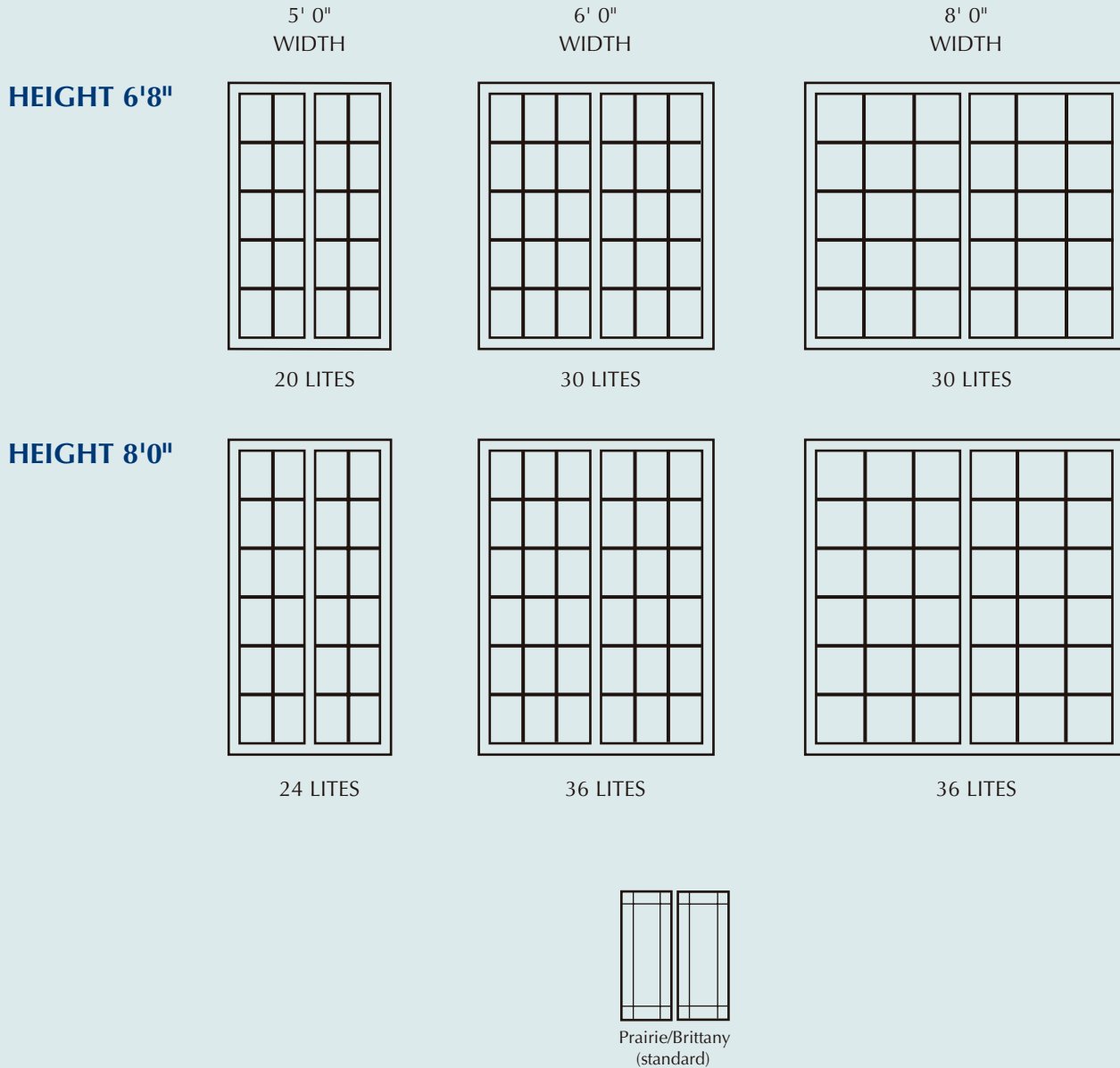
# VINYL FRAMES

## SLIDING GLASS DOORS – SERIES SGD430

- 5<sup>15</sup>/<sub>16</sub>" frame depth
- Frame Options:  
Integral nail fin  
Equal leg
- Aluminum reinforced vinyl panels
- Panel corners are welded mitered joints
- Locking hardware is deluxe mortise type with key lock
- Adjustable, stainless steel ball bearing tandem roller system for smoother operation
- Fully weatherstripped, deep integral panel interlocks and door frame provide a tighter seal against wind and water
- XO or OX configurations



# SIZE CHART & STANDARD COLONIAL CONFIGURATIONS



## DESIGN PRESSURE GUIDE

STYLE	TESTED PRESSURE	WATER-TESTED PRESSURE	TESTED SIZE	TYPE OF TEST	RATING
Sliding Glass Door (XO, OX)	+60/-60	Standard Sill 6.75 psf High Rise Sill 9.0 psf	96" x 96"	AAMA/WDMA/CSA 101/I.S.2/A440-05	Standard Sill SD-C45 High Rise Sill SD-C60